

Theo Chair

Designed specifically for churches and cathedrals by British designer Simon Pengelly, Theo is a lightweight, strong and durable wood framed high density stacking chair and stacking bench with a veneered plywood seat and back.

Theo has won numerous awards including the Church of England's 'Design a Church Chair' competition and has been recognised by the Worshipful Company of Furniture Makers as an outstanding lightweight stacking chair.

The Theo chair is complemented by a range of matching Theo products including tables, pews and a metal framed chair.



Stacks up to 30 high



Available with arms



Book holder available



Stains available



Upholstered seat available



Two linking options



Weighs only 3.5kg



10 year guarantee



Designed in Britain



01427 677 556 | 07841 501702



info@trinitychurchfurniture.co.uk



www.trinitychurchfurniture.co.uk

Theo Chair



Chairs linking



Stacking on trolley



Book / Bible holder



Upholstered seat pad



Chair with arms

Theo Chair

Stacking

Single trolley available allowing chairs to stack 30 high, taking up only 0.5sq. meters of floor space. Triple trolley available allowing 90 linked chairs to be stacked in less than 2sq. meters of floor space. Chairs can be stacked whilst linked, allowing for efficient movement and storage.

Strength

BS EN 15373:2007 Level 2, strength and stability tested. The Theo chair may be incredibly light in weight, but it is also extremely strong.

Standard Wood Finishes



Beech



Oak

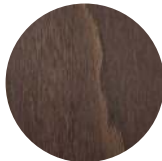
Stains - Stain to match available



A



B



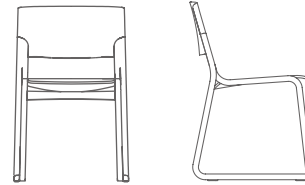
C



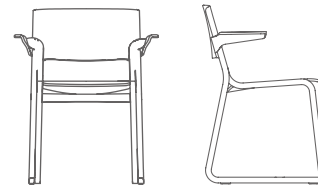
D

Dimensions (in mm)

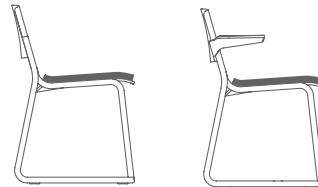
Theo chair
width 510
depth 540
height 780
seat height 455



Theo armchair
arm height 660

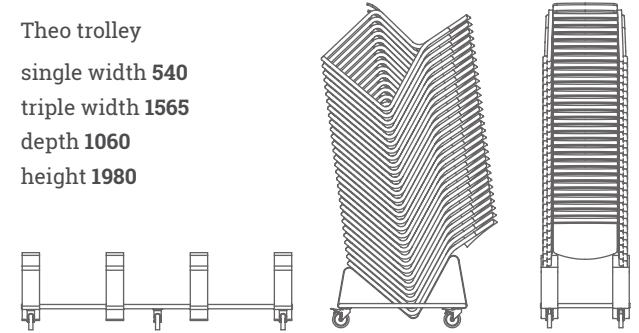


Theo chair &
armchair
upholstered
seat height 470



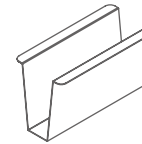
Steel arm bracket - Grey as standard; black optional.

Theo trolley
single width 540
triple width 1565
depth 1060
height 1980



Frame finish - Grey as standard; black optional.

Book holder
width 115
depth 230
height 130



Linking Options

Rigid - The rigid link enables up to 5 chairs to be lined up and moved with ease. The rigid link system also allows for 3 linked chairs to be stacked and stored on a triple trolley.

Hook & Eye - Allows chairs to be set out in either straight or curved rows.

Rigid: Straight rows & move up to 5 whilst linked



Hook & Eye: Straight or curved rows

